

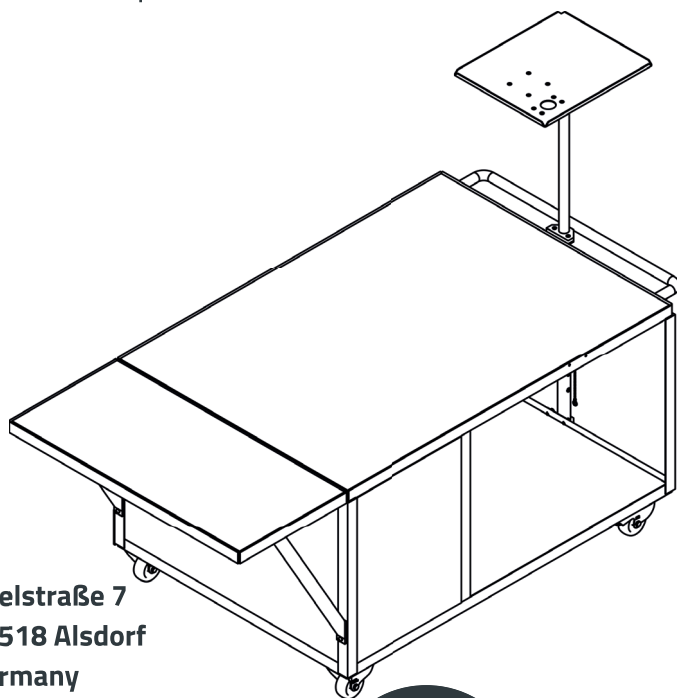
CubiCart 125

Application/Benefits

- A rechargeable 12 volts battery enables a fully wireless use of up to 6-8 hours (depending on usage)
- Can optionally be equipped with swappable batteries for non-stop operations
- Quick setup of a mobile measuring station
- Continuous usage possible with mains voltage (230 V) supply
- The telescopic arm creates a perfect working height for laptops
- An integrated charger and AC/DC inverter make the CubiCart a fully standalone measurement solution

Technical Specifications

Length	170 cm
Width	85 cm
Height	71 cm
Battery	12 Volts 65 Ah



Boelstraße 7
57518 Alsdorf
Germany

Tel.: +49 2741-9377-0
Fax.: +49 2741-9377-29
eMail: info@akl-tec.de



Any questions?
sales@akl-tec.de

YouTube *Video*

